

Made in USA

FEATURES / BENEFITS

- Vane-operated switch for airflow detection
- Airflow ranges from 500–2500 ft per min (2.5–12.7 m/s)
- Easy Installation—mounts directly onto duct
- Gold contacts option for low-current applications
- Moisture & fungus resistance models available

SPECIFICATIONS

MECHANICAL

Airflow ranges	500–2,500 ft per minute (2.5–12.7 m/s)
Switch Operating Range	15°–21° of Operating Stroke
Release Airflow	Max 20% of Airflow Actuation Point (depending on orientation)
Mechanical Life	1,000,000 Cycles
Temperature Range	+40–125° F (4.4–51.7°C)

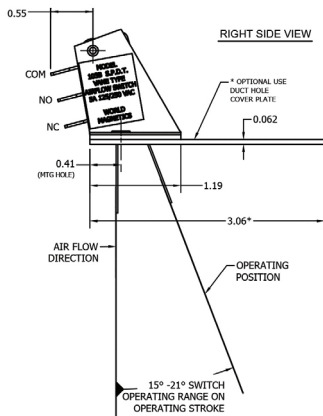
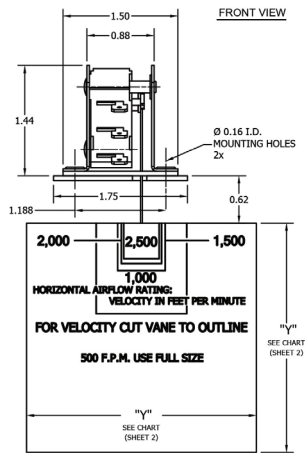


PHYSICAL

Housing Material	Plastic Dust Cover and Aluminum Mounting Bracket
Vane Material	Stainless Steel
Vane Dimensions	See Drawing
Electrical Connection	0.205" x 0.031" Terminals
Weight	0.04 lbs (0.018 kg)

ELECTRICAL

Switch Type	SPDT Snap Action
Current Rating	5 A 125/250 VAC



Model Number	Part Number	Airflow Range
103B	D21560	500–2,500 ft per minute (2.5–12.7 m/s)
103B-MF	D21561	500–2,500 ft per minute (2.5–12.7 m/s) * Mildew Resistant*

103B SERIES