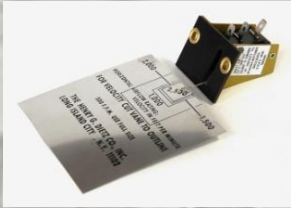


Rugged and Precise Pressure, Vacuum & Differential Pressure Switches



DIETZ D1 ULTRA-SENSITIVE DIFFERENTIAL SWITCH

Rugged, simple construction
Adjustable actuation as low as 0.7" H₂O
Withstands pressure overloads without damage or calibration change
High current electrical ratings



DIETZ 103B VANE TYPE AIRFLOW SWITCH

Guards against damage from blower failure or air passage obstruction
Simple construction, easy installation
500 fpm to 2,500 fpm
Reliable for over 300,000 actuations
Moisture / fungus resistant coating available



DIETZ 170D / 171D ULTRA-LOW DIFFERENTIAL PRESSURE SWITCH

Pressure ranges from 0.05" to 40" H₂O
High electrical rating
Wide temperature range
Shock and vibration resistant (170D)
Chemical resistant epoxy finish
Long life diaphragm



DIETZ 161P LOW AIR PRESSURE SWITCH

High precision in a rugged steel housing
Adjustable pressure ranges from 0.25-15psi
Easy-mount 1/4" NPT male pressure connection
Electrical Rating up to 15Amp, 125-480V AC
SPDT snap action micro switch



DIETZ 200 SERIES PRESSURE & VACUUM SWITCH

Rugged, simple construction
Adjustable Pressure Ranges from 4 -5000psi
Vacuum Pressure Range from 5-30" Hg
High current electrical ratings
Life in excess 1,000,000 cycles
High proof pressure.





171D/170D Ultra Low Differential Pressure Switch



Made in USA

FEATURES / BENEFITS

- Rugged design for use in harsh environments
- Pressure ranges from 0.05”–40” H₂O (0.12–100 mbar)
- Shock and vibration resistance (MIL-S-901-D & MIL-STD-167-1)
- Chemical resistant epoxy finish available
- Suitable for high voltage/current applications

SPECIFICATIONS

MECHANICAL

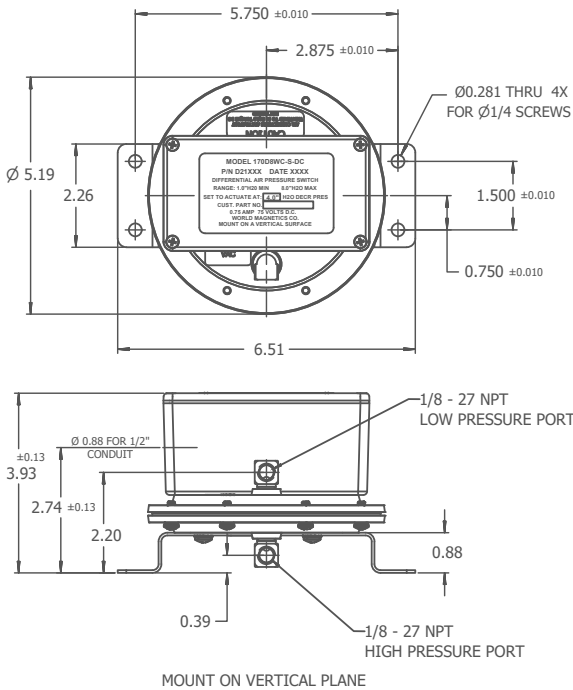
Set Point Ranges	0.05”–40” H ₂ O (see below) (0.12–100 mbar)
Dead Band	Consult Factory
Proof Pressure	Up to 25 psi (dependant on model) Up to 1724 mbar
Mechanical Life	1,000,000 Cycles
Temperature Range	-30–160° F (-34–71°C)

PHYSICAL

Housing Material	Zinc Die Cast, Aluminum Electrical Box
Diaphragm	0.008” Nitrile/Nylon Cloth (model 170) or 0.005” Silicone PE Cloth (model 171)
Pressure Port	1/8–27 NPT Female
Electrical Connection	Screw Terminals
Weight	2.510 lbs (1.14 kg)

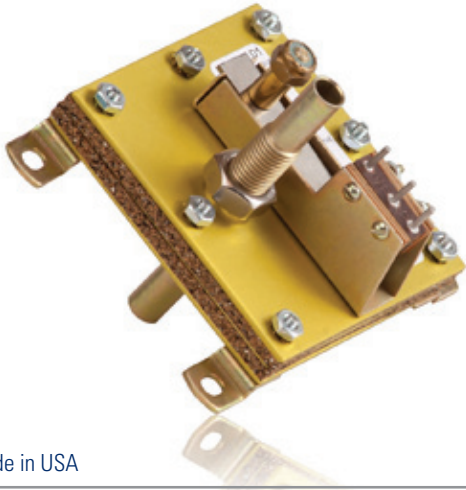
ELECTRICAL

Switch Type	SPDT Snap Action
Current Rating	See Below

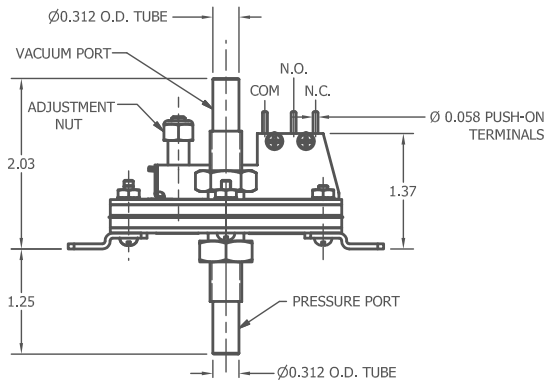
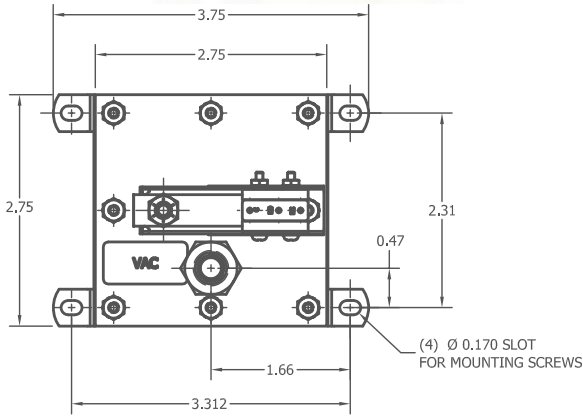


Model Number	Part Number	Operating Range	Deadband	Switch Current
--------------	-------------	-----------------	----------	----------------

170D8W-S	D21530	1.0–8.0” H ₂ O (2.5–20 mbar)	0.2–0.6” H ₂ O (0.5–1.5 mbar)	10 Amp 125 VAC
170D8W	D21531	2.0–8.0” H ₂ O (5.0–20 mbar)	0.3–0.8” H ₂ O (0.75–2.0 mbar)	15 Amp 125 VAC
170D20W	D21532	2.0–20” H ₂ O (5.0–50 mbar)	0.3–1.0” H ₂ O (0.75–2.5 mbar)	15 Amp 125 VAC
170D40W	D21533	2.0–40” H ₂ O (5.0–100 mbar)	0.3–1.0” H ₂ O (0.75–2.5 mbar)	15 Amp 125 VAC
171D8WC-S	D21540	0.05–8.0” H ₂ O (0.12–20 mbar)	0.03–0.3” H ₂ O (0.07–0.75 mbar)	10 Amp 125 VAC
171D8WC	D21541	0.15–8.0” H ₂ O (0.37–20 mbar)	0.05–0.3” H ₂ O (0.12–0.75 mbar)	15 Amp 125 VAC
170D8W-S-DC	D21564	1.0–8.0” H ₂ O (2.5–20 mbar)	0.3–0.6” H ₂ O (0.75–1.5 mbar)	0.75 Amp 75 VDC
170D8W-DC	D21536	2.0–8.0” H ₂ O (5.0–20 mbar)	0.3–1.0” H ₂ O (0.75–2.5 mbar)	0.75 Amp 75 VDC
170D20W-DC	D21537	2.0–20” H ₂ O (5.0–50 mbar)	0.3–1.0” H ₂ O (0.75–2.5 mbar)	0.75 Amp 75 VDC
170D40W-DC	D21538	2.0–40” H ₂ O (5.0–100 mbar)	0.8–1.0” H ₂ O (2.0–2.5 mbar)	0.75 Amp 75 VDC
171D8-WC5-DC	D21542	0.15–8.0” H ₂ O (0.37–20 mbar)	0.05–0.3” H ₂ O (0.12–0.75 mbar)	0.75 Amp 75 VDC



Made in USA



FEATURES / BENEFITS

- Rugged flat-plate construction in accordance with MIL-A-8625, Type 1, Class 2 specification
- Adjustable pressure range from 0.7–7" H₂O
- Single pole double throw switch action
- High proof pressure
- Reliable mechanical life

SPECIFICATIONS

MECHANICAL

Set Point Ranges	0.7–7.0" H ₂ O
Dead Band	Approximately 50% of Set Point
Proof Pressure	30" H ₂ O
Mechanical Life	1,000,000 Cycles
Temperature Range	+40–150° F

PHYSICAL

Housing Material	Anodized Aluminum
Diaphragm	Silicone Coated Fabric
Pressure Port	0.312 +/- .005 O.D. Tube
Electrical Connection	0.058 Push-on Terminals
Weight	0.32 lbs

ELECTRICAL

Switch Type	SPDT Snap Action
Current Rating	4 A 250 VAC / 5 A 28 VDC



Model Number	Part Number	Pressure Range
D1	D21543	0.7–7.0" H ₂ O

D-1 SERIES



Made in USA

FEATURES / BENEFITS

- Rugged steel housing for use in harsh environments
- Adjustable pressure range from 0.25–15 psi
- Single pole double throw switch action
- Electrical rating up to 10 Amp, 125–480 VAC
- Reliable mechanical life

SPECIFICATIONS

MECHANICAL

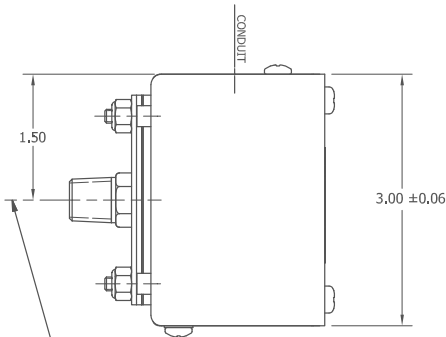
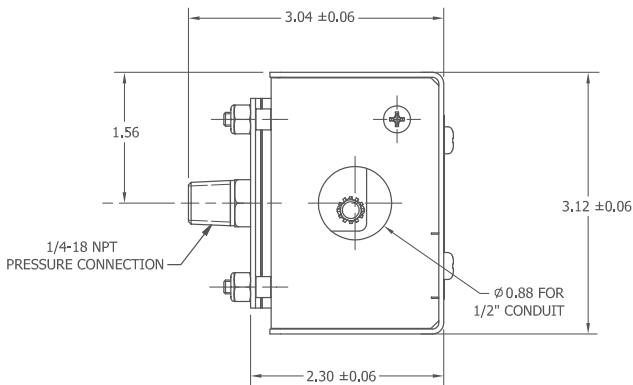
Set Point Ranges	0.25–15 psi (see below)
Dead Band	See Below
Proof Pressure	Up to 35 psi (dependant on range)
Mechanical Life	1,000,000 Cycles
Temperature Range	+40–125° F

PHYSICAL

Housing Material	Steel
Diaphragm	0.017 Thick Nitrile / Nylon Coated Fabric
Pressure Port	1/4–18 NPT Male
Electrical Connection	Screw Terminals
Weight	1.75 lbs

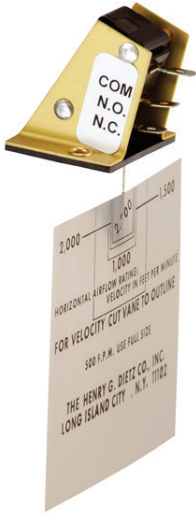
ELECTRICAL

Switch Type	SPDT Snap Action
Current Rating	10 A 125-480 VAC



Model Number	Part Number	Range	Deadband
161P1.0	D21545	0.25–1.00 psi	0.004–0.1 psi
161P1.3	D21546	0.25–1.30 psi	0.004–0.1 psi
161P5	D21547	0.25–5.00 psi	0.009–0.25 psi
161P10	D21548	0.50–10.00 psi	0.018–0.50 psi
161P15	D21549	0.75–15.00 psi	0.027–0.75 psi

161P SERIES



Made in USA

FEATURES / BENEFITS

- Vane-operated switch for airflow detection
- Airflow ranges from 500–2500 ft per min (2.5–12.7 m/s)
- Easy Installation—mounts directly onto duct
- Gold contacts option for low-current applications
- Moisture & fungus resistance models available

SPECIFICATIONS

MECHANICAL

Airflow ranges	500–2,500 ft per minute (2.5–12.7 m/s)
Switch Operating Range	15°–20° of Operating Stroke
Release Airflow	Max 20% of Airflow Actuation Point (depending on orientation)
Mechanical Life	1,000,000 Cycles
Temperature Range	+40–125° F (4.4–51.7°C)

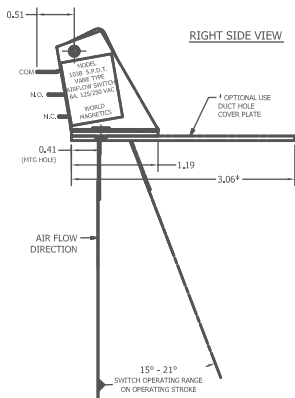
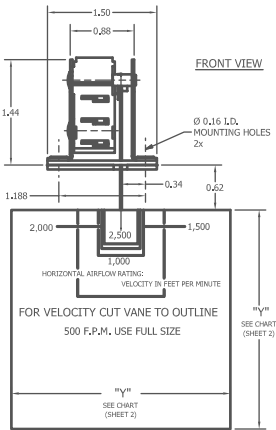


PHYSICAL

Housing Material	Plastic Dust Cover and Aluminum Mounting Bracket
Vane Material	Stainless Steel
Vane Dimensions	See Drawing
Electrical Connection	0.205" x 0.031" Terminals
Weight	0.04 lbs (0.018 kg)

ELECTRICAL

Switch Type	SPDT Snap Action
Current Rating	5 A 125/250 VAC



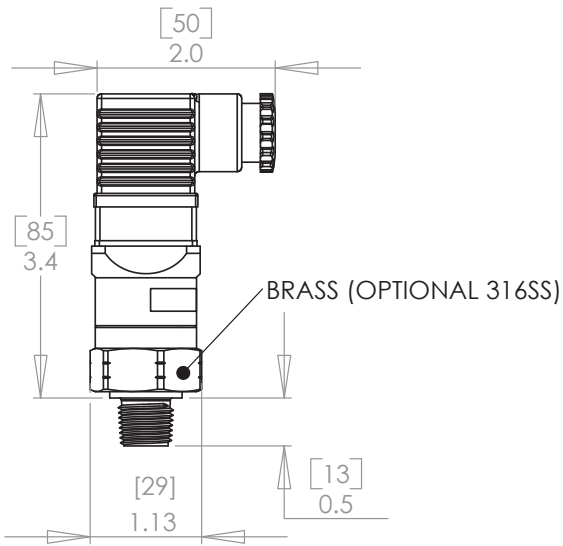
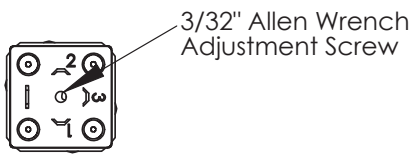
Model Number	Part Number	Airflow Range
103B	D21560	500–2,500 ft per minute (2.5–12.7 m/s)
103B-MF	D21561	500–2,500 ft per minute (2.5–12.7 m/s) * Mildew Resistant*

103B SERIES



FEATURES / BENEFITS

- Rugged compact brass housing
- Adjustable pressure ranges from 3–150 psi
- SPDT Switch (up to 5 Amp)
- IP 65 Environmental protection
- Mechanical life in excess of 1,000,000 cycles



SPECIFICATIONS

MECHANICAL

Set Point Ranges	3–150 psi
Repeatability	+/- 2% FS
Maximum Overpressure	350 psi
Mechanical Life	1,000,000 Cycles
Temperature range	-20–180° F

PHYSICAL

Housing Material	Brass
Diaphragm	Nitrile (other options available on request)
Pressure Port	1/4" NPT Male
Environmental Protection	IP 65
Electrical Connection	Din 43650 A
Weight	0.26 lbs

ELECTRICAL

Switch Type	SPDT Snap Action
Current Rating	5 A 12/24 VDC - 125 VAC 3 A 250 VAC



Model Number	Part Number	Adjustment Range	Average Differential
200P-1-4M-C-HC	D30000	3–7 psi	0.5–1.2 psi
200P-2-4M-C-HC	D30001	5–30 psi	1–2.5 psi
200P-3-4M-C-HC	D30002	25–150 psi	2–10 psi

200P SERIES



FEATURES / BENEFITS

- Adjustable pressure ranges up to 5000 psi
- Suitable for high proof pressures (9000 psi)
- Robust zinc plated housing sealed to IP 65
- Industry standard Din 43650 A electrical connection
- Mechanical life in excess of 1,000,000 cycles

SPECIFICATIONS

MECHANICAL

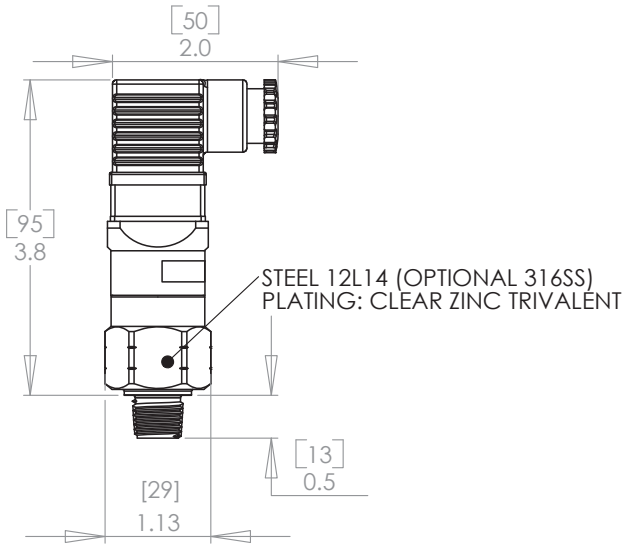
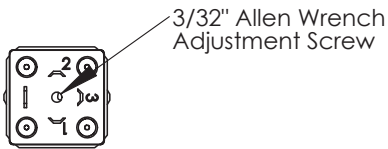
Set Point Ranges	30–5000 psi
Repeatability	+/- 2% FS
Maximum Overpressure	9000 psi
Mechanical Life	1,000,000 Cycles
Temperature range	-20–180° F

PHYSICAL

Housing Material	Zinc Plated Steel
Diaphragm	Nitrile (other options available on request)
Pressure Port	1/4" NPT Male
Environmental Protection	IP 65
Electrical Connection	Din 43650 A
Weight	0.41 lbs

ELECTRICAL

Switch Type	SPDT Snap Action
Current Rating	5 A 12/24 VDC - 125 VAC 3 A 250 VAC



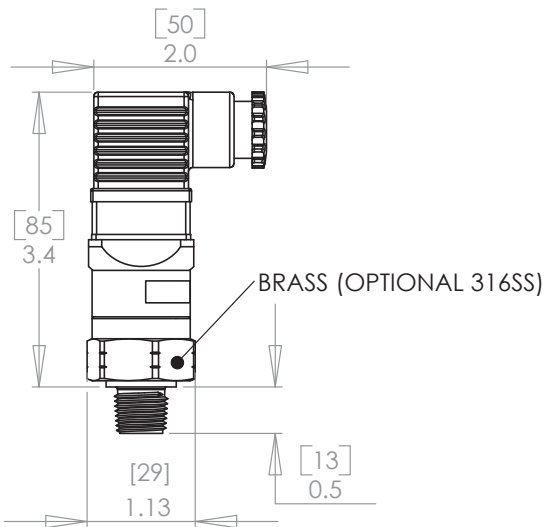
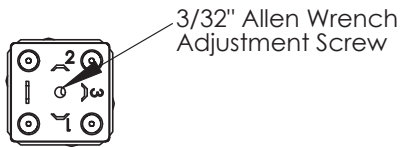
Model Number	Part Number	Adjustment Range	Average Differential
210HP-4-4M-C-HC	D31000	30–120 psi	9–20 psi
210HP-5-4M-C-HC	D31001	75–300 psi	12–36 psi
210HP-6-4M-C-HC	D31002	300–1200 psi	69–80 psi
210HP-7-4M-C-HC	D31003	1000–3000 psi	180–360 psi
210HP-8-4M-C-HC	D31004	2000–5000 psi	200–400 psi

210HP SERIES



FEATURES / BENEFITS

- Rugged brass construction
- Vacuum pressure range from 5–30" Hg
- Withstands positive pressure up to 350 psi
- 5 Amp SPDT snap action microswitch
- IP 65 Environmental protection



SPECIFICATIONS

MECHANICAL

Set Point Ranges	5–30" Hg
Repeatability	+/- 2% FS
Maximum Overpressure	350 psi
Mechanical Life	1,000,000 Cycles
Temperature Range	-20–180° F

PHYSICAL

Housing Material	Brass
Diaphragm	Nitrile (other options available on request)
Pressure Port	1/4" NPT Male
Environmental Protection	IP 65
Electrical Connection	Din 43650 A
Weight	0.26 lbs

ELECTRICAL

Switch Type	SPDT Snap Action
Current Rating	5 A 12/24 VDC - 125 VAC 3 A 250 VAC



Model Number	Part Number	Adjustment Range	Average Differential
220V-0-4M-C-HC	D32000	5–30" Hg	2–4" Hg

220V SERIES