



# 171D/170D Ultra Low Differential Pressure Switch



Made in USA

## FEATURES / BENEFITS

- Rugged design for use in harsh environments
- Pressure ranges from 0.05"–40" H<sub>2</sub>O (0.12–100 mbar)
- Shock and vibration resistance (MIL-S-901-D & MIL-STD-167-1)
- Chemical resistant epoxy finish available
- Suitable for high voltage/current applications

## SPECIFICATIONS

### MECHANICAL

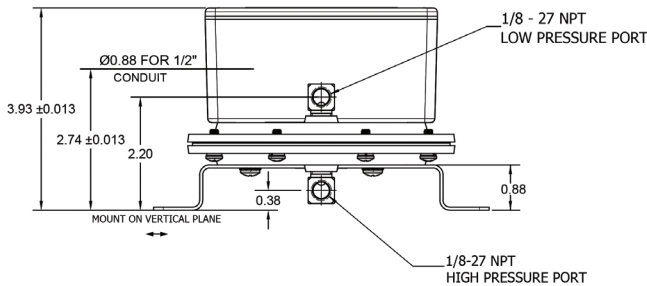
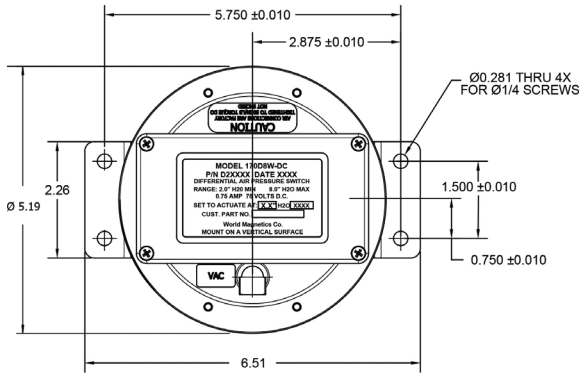
Set Point Ranges	0.05"–40" H <sub>2</sub> O (see below) (0.12–100 mbar)
Dead Band	Consult Factory
Proof Pressure	Up to 40" H <sub>2</sub> O (dependant on model) Up to 100 mbar
Mechanical Life	1,000,000 Cycles
Temperature Range	-30–160° F (-34–71°C)

### PHYSICAL

Housing Material	Zinc Die Cast, Aluminum Electrical Box
Diaphragm	0.008" Nitrile/Nylon Cloth (model 170) or 0.005" Silicone PE Cloth (model 171)
Pressure Port	1/8–27 NPT Female
Electrical Connection	Screw Terminals
Weight	2.510 lbs (1.14 kg)

### ELECTRICAL

Switch Type	SPDT Snap Action
Current Rating	See Below



Model Number	Part Number	Operating Range	Deadband	Switch Current
170D8W-S	D21530	1.0–8.0" H <sub>2</sub> O (2.5–20 mbar)	0-10% of set point (10% at top end of range)	10 Amp 125 VAC
170D8W	D21531	2.0–8.0" H <sub>2</sub> O (5.0–20 mbar)	0-10% of set point (10% at top end of range)	15 Amp 125 VAC
170D20W	D21532	2.0–20" H <sub>2</sub> O (5.0–50 mbar)	0-10% of set point (10% at top end of range)	15 Amp 125 VAC
170D40W	D21533	2.0–40" H <sub>2</sub> O (5.0–100 mbar)	0-10% of set point (10% at top end of range)	15 Amp 125 VAC
171D8WC-S	D21540	0.05–8.0" H <sub>2</sub> O (0.12–20 mbar)	0-25% of set point (25% at top end of range)	10 Amp 125 VAC
171D8WC	D21541	0.15–8.0" H <sub>2</sub> O (0.37–20 mbar)	0-25% of set point (25% at top end of range)	15 Amp 125 VAC
170D8W-S-DC	D21564	1.0–8.0" H <sub>2</sub> O (2.5–20 mbar)	0-10% of set point (10% at top end of range)	0.75 Amp 75 VDC
170D8W-DC	D21536	2.0–8.0" H <sub>2</sub> O (5.0–20 mbar)	0-10% of set point (10% at top end of range)	0.75 Amp 75 VDC
170D20W-DC	D21537	2.0–20" H <sub>2</sub> O (5.0–50 mbar)	0-10% of set point (10% at top end of range)	0.75 Amp 75 VDC
170D40W-DC	D21538	2.0–40" H <sub>2</sub> O (5.0–100 mbar)	0-10% of set point (10% at top end of range)	0.75 Amp 75 VDC
171D8WC-S-DC	D21542	0.15–8.0" H <sub>2</sub> O (0.37–20 mbar)	0-25% of set point (25% at top end of range)	0.75 Amp 75 VDC