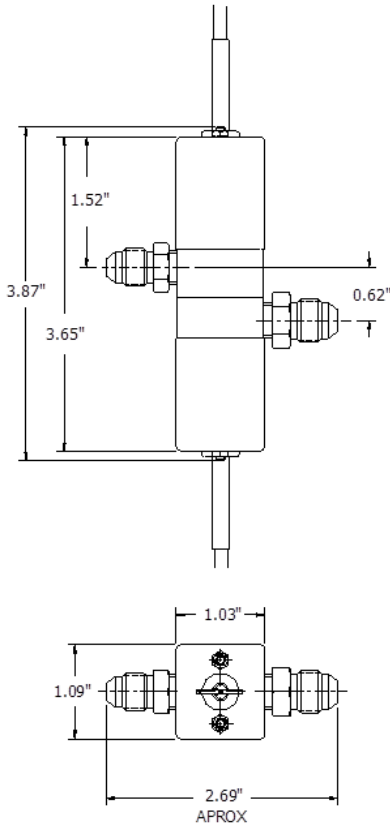


Made in USA

FEATURES / BENEFITS

- Lightweight, aluminum construction
- Dual-spring design for accuracy and stability
- One piece fully supported diaphragm to achieve both low setpoints and high proof pressures
- Factory set, tamper proof
- Fully enclosed design for harsh environments



SPECIFICATIONS

| MECHANICAL | | ELECTRICAL |
|------------------------|---|--------------------------|
| Standard Tolerance | +/- 10% | Current Rating |
| Switch Type | SPDT (single pole / double throw) | Resistive 5 AMP |
| Switching Medium | Air or compatible fluids | Operating Voltage |
| Mechanical Life | 100,000 cycles | 30VDC |
| Set-Point Ranges | 40 to 200 PSI (2.76–13.8 bar) | |
| Proof Pressure | 1000 PSI (70 bar) | |
| Hysteresis | 5% to 30% of set point | |
| Operating Temp. | -65 TO 300 DEG F (-54–149°C) | |
| | | |
| PHYSICAL | | |
| Case Material | Aluminum, Gold anodized | |
| Seal | Buna n | |
| Diaphragm | Silicone | |
| Pressure Port | Varies by option - See part number system below | |
| Electrical Connections | Varies by option - See part number system below | |
| Weight | Less than 6 ounces | |

| Series | Type | Housing | Seal | Electrical Output | Electrical Connection | Pressure Port | Set-Point (PSI) |
|--------|------------------|---------------|--|-------------------|---|--|-------------------------------|
| 658 | D - Differential | AL - Aluminum | 1 - Buna n 2 - Ethylene Propylene 4 - Neoprene 5 - Silicone | SP - SPDT | 1 - Amp 6-p 2 - 12" leads 3 - Amp Mate-N-Lok 1-480700 4 - Amp Mate-N-Lok 1-480701 5 - MS3102-10SI-3P 6 - MS3112E10-6P 7 - MS33678-10SI-3P | A - 1/8" MNPT B - 1/4" MNPT C - An816-4d D - And10050-4 E - Imperial 1/4" plastic F - MS33656E-6 G - MS33649-4 H - MS33656E-2 I - MS33656E-4 J - MS33656E-5 K - MS33656E-3 | 40-200 PSI (2.76–13.8 bar) |

Determine Your Product Number:

658 - D - AL - x - SP - x - x - xxxx

Highlighted Options Standard

658 SERIES