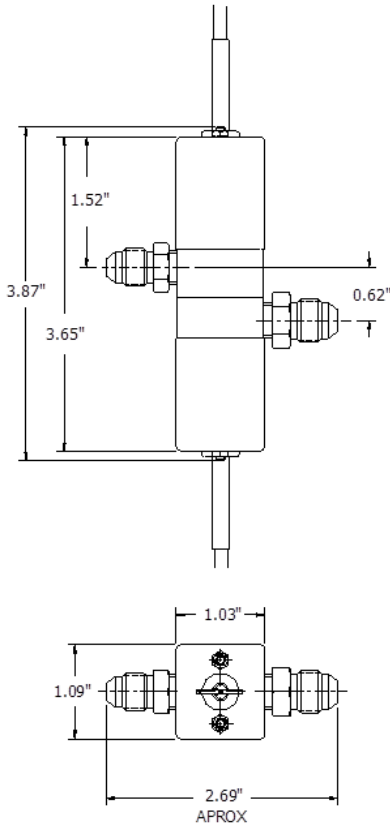


Made in USA

FEATURES / BENEFITS

- Lightweight, aluminum construction
- Dual-spring design for accuracy and stability
- One piece fully supported diaphragm to achieve both low setpoints and high proof pressures
- Factory set, tamper proof
- Fully enclosed design for harsh environments



SPECIFICATIONS

MECHANICAL		ELECTRICAL
Standard Tolerance	+/- 10%	Current Rating
Switch Type	SPDT (single pole / double throw)	Resistive 5 AMP
Switching Medium	Air or compatible fluids	Operating Voltage
Mechanical Life	100,000 cycles	30VDC
Set-Point Ranges	40 to 200 PSI (2.76–13.8 bar)	
Proof Pressure	1000 PSI (70 bar)	
Hysteresis	5% to 30% of set point	
Operating Temp.	-65 TO 300 DEG F (-54–149°C)	
PHYSICAL		
Case Material	Aluminum, Gold anodized	
Seal	Buna n	
Diaphragm	Silicone	
Pressure Port	Varies by option - See part number system below	
Electrical Connections	Varies by option - See part number system below	
Weight	Less than 6 ounces	

Series	Type	Housing	Seal	Electrical Output	Electrical Connection	Pressure Port	Set-Point (PSI)
658	D - Differential	AL - Aluminum	1 - Buna n 2 - Ethylene Propylene 4 - Neoprene 5 - Silicone	SP - SPDT	1 - Amp 6-p 2 - 12" leads 3 - Amp Mate-N-Lok 1-480700 4 - Amp Mate-N-Lok 1-480701 5 - MS3102-10SI-3P 6 - MS3112E10-6P 7 - MS33678-10SI-3P	A - 1/8" MNPT B - 1/4" MNPT C - An816-4d D - And10050-4 E - Imperial 1/4" plastic F - MS33656E-6 G - MS33649-4 H - MS33656E-2 I - MS33656E-4 J - MS33656E-5 K - MS33656E-3	40-200 PSI (2.76–13.8 bar)

Determine Your Product Number:
658 - D - AL - x - SP - x - x - xxxx
 Highlighted Options Standard

658 SERIES